

Deuterium lamp

Model: LC-D2-SHI-SPD
 Serial Nr.: xxxxx
 Test date: xxxxx
 Lifetime: 2000 h

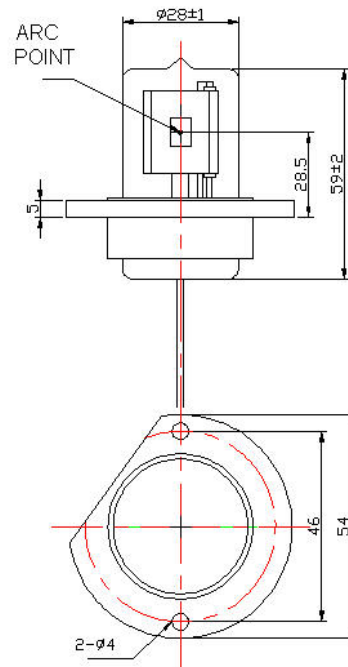
Suitable for replacement of Shimadzu part nr. 228-34016-02

Specifications:

Spectral range: 185 ~ 400 nm
 Window material: quartz
 Max. surface temperature: 290 °C
 Strike voltage: 400 V
 Anode voltage: 70 ~ 90 V DC
 Anode current: 300 mA DC

Filament ratings:

Warm-up voltage: 10 V DC, AC
 Warm-up current: 0.8 A AC, DC
 Operating voltage: 7 V DC
 Operating current: 0.5 A DC
 Output fluctuation (at 230 nm): 0.05% p-p
 Output drift (at 230 nm): $\pm 0.3\%$ / h
 Filament warm-up time: 20 s



SAFETY INSTRUCTIONS:

- This lamp emits ultraviolet radiation which can cause burning of the skin or eyes.
- Approved protective eyewear must be worn when viewing the lamp directly.
- Protect your skin against exposure to light emitted by this lamp.
- Finger prints or other foreign bodies on the glass can burn in and impair the light output.
- After handling the lamp it should be cleaned with a lens tissue moistened with alcohol. Make sure the lamp is dry before operating it.